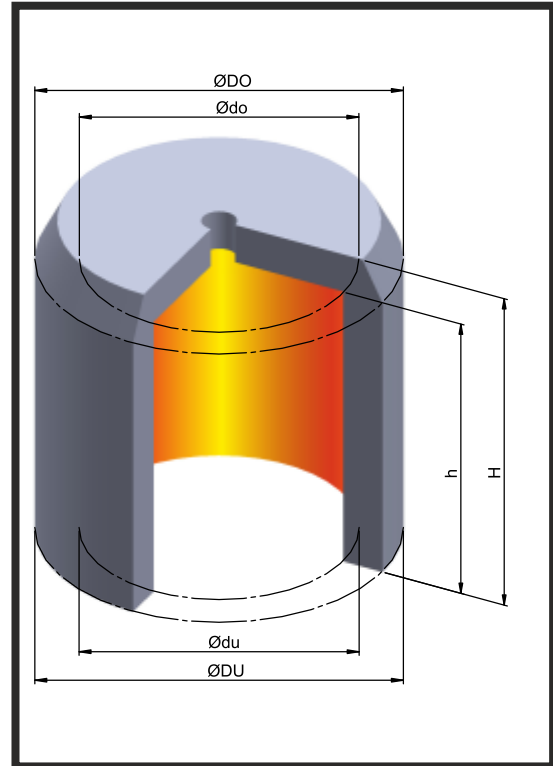
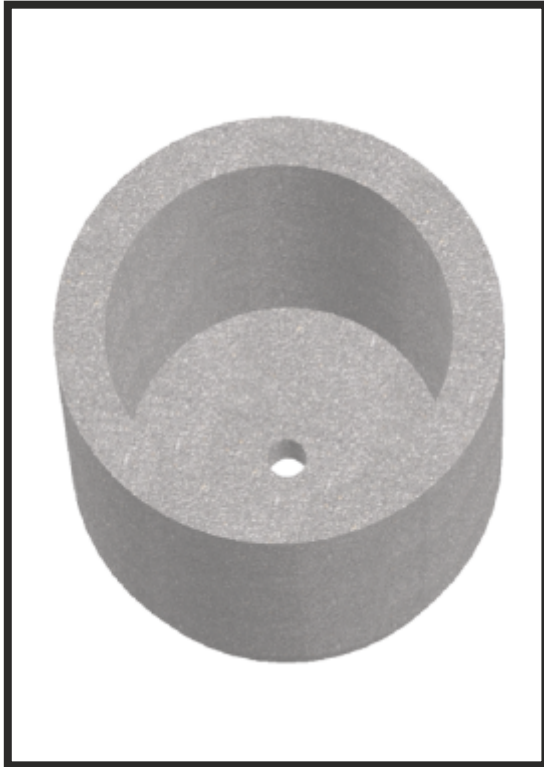


GES FOUNDRY PRODUCTS METALLURGY

(KX S TYPE EXOTHERMIC FEEDER)



TYPE	MODULE (cm)		DIMENSIONS(mm)						VOLUME dm ³
	KX SX	GEOM	du	Du	do	Do	h	H	
KX S 3,5/5	0,95	0.60	35.0	53.0	30.5	49.0	39.5	49.5	0.03
KX S 4/7	1.20	0.75	41.5	62.5	35.5	59.0	63.0	71.5	0.07
KX S 4/95	1.30	0.80	42.5	63.0	36.0	59.0	85.0	97.0	0.10
KX S 5/8	1.50	0.95	52.0	73.5	48.0	70.0	70.0	80.0	0.13
KX S 6/9	1.70	1.05	57.5	80.0	52.5	76.0	78.5	91.0	0.18
KX S 7/10	2,00	1.25	69.5	94.0	65.0	89.5	87.0	99.0	0.30
KX S 8/11	2.25	1.40	79.0	102.0	71.5	99.0	96.5	108.0	0.42
KX S 9/12	2.50	1.55	89.0	115.0	81.0	110.0	104.5	120.0	0.58
KX S 10/13	2.80	1.75	97.0	127.5	91.0	119.0	117.0	133.0	0.80